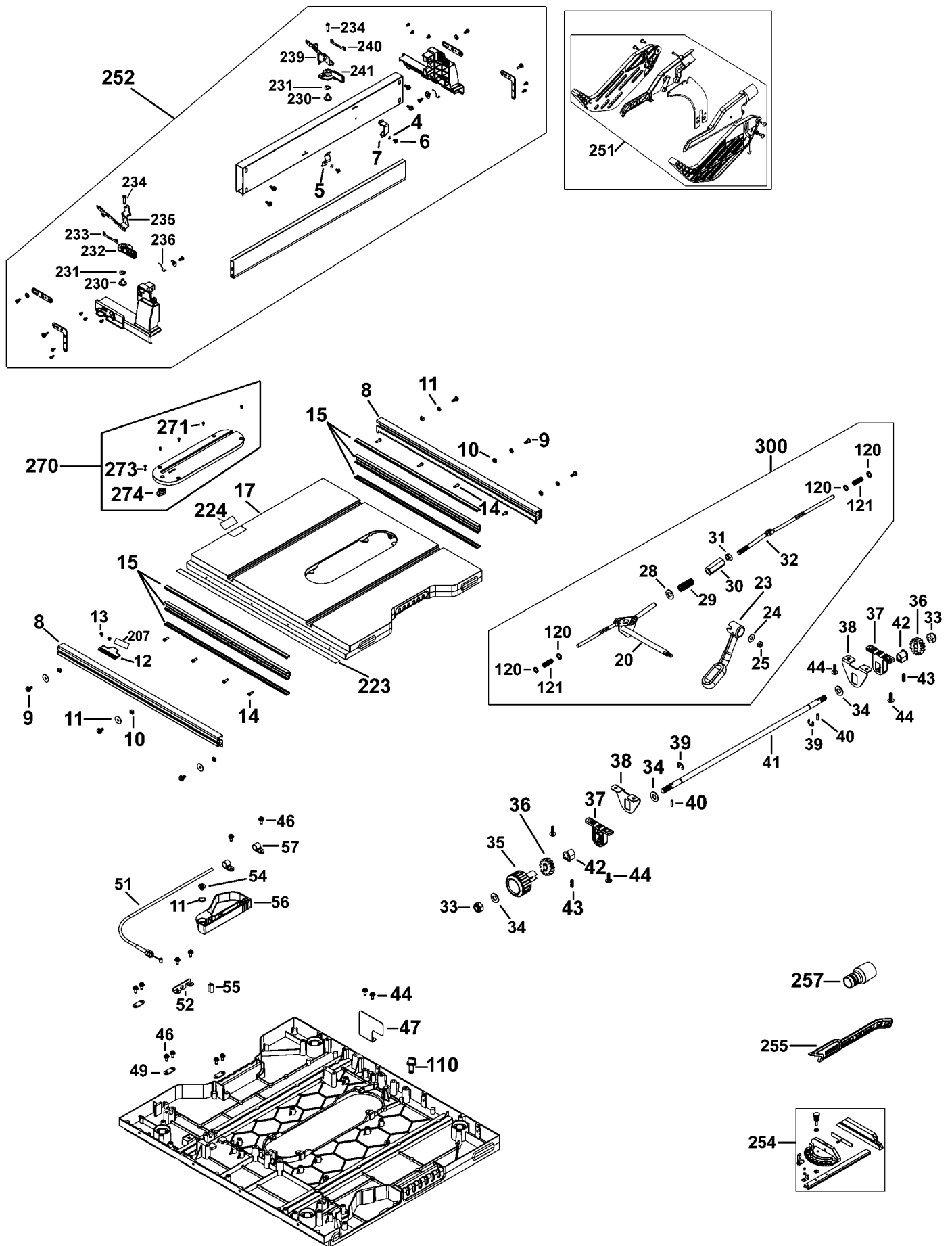
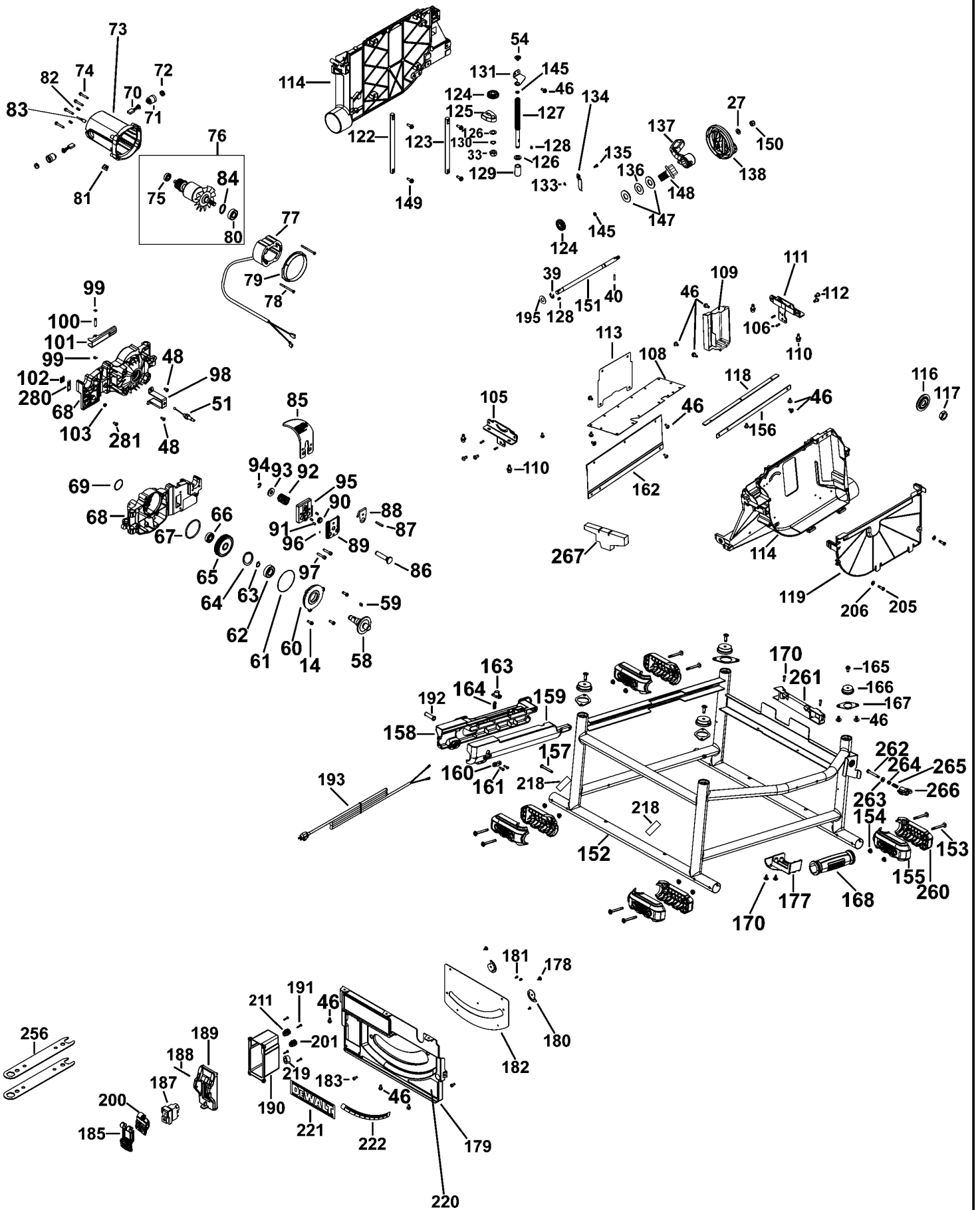


DWE7492 Table TABLE SAW 1



DWE7492 Main unit TABLE SAW 1



Parts List DWE7492 TABLE SAW 1

Item	Part Number	Qty	Part Description	General Description	Other Info	Repair Inst	Markets
4	N448947	2	WASHER	M4		No	
5	N504104	1	HOLDER			No	
6	N615124	2	SCREW	M4 X 8		No	
7	N506020	1	HOLDER			No	
8	N528992	2	RAIL	OUTER		No	
9	N507933	6	SCREW	M6 X 9.5		No	
10	N467547	6	NUT	M6 SQUARE		No	
11	N507934	6	WASHER	M6 X1.5		No	
12	N506804	1	POINTER			No	
13	N530541	2	SCREW	M4 X 8		No	
14	N446317	11	SCREW.SPECIAL			No	
14	330045-14	3	SCREW	M5 x 16mm - T25		No	
15	N530544	2	RAIL	INNER		No	
17	N517904	1	TABLE			No	
20	N544188	1	SHAFT SA			No	
23	N507950	1	LEVER			No	
24	N526192	1	WASHER	M6		No	
25	397893-00	1	NUT			No	
27	N467556	1	WASHER	M8		No	
28	N561042	1	WASHER	M8		No	
29	N511376	1	SPRING			No	
30	N504755	1	ADJUSTER BLOCK			No	
31	N467555	1	NUT	M8		No	
32	N544187	1	SHAFT SA			No	
33	N455283	3	NUT M10			No	
34	N455280	2	WASHER	M10		No	
35	N506822	1	KNOB			No	
36	N504754	2	PINION			No	
37	N505867	2	BLOCK			No	
38	N503996	2	BRACKET			No	
39	N455281	3	RETAINER			No	
40	N455278	2	SPIROL PIN	M4 X 16		No	
41	N528996	1	ROD			No	

Parts List DWE7492 TABLE SAW 1

Item	Part Number	Qty	Part Description	General Description	Other Info	Repair Inst	Markets
42	N505964	2	BLOCK			No	
43	N511377	2	SPRING			No	
44	330045-14	4	SCREW	M5 x 16mm - T25		No	
46	N526936	38	SCREW	THD FORM		No	
47	N524352	1	GUARD			No	
48	N506853	2	SCREW	M5 X 8		No	
49	N503338	5	PLATE			No	
51	N506841	1	CABLE			No	
52	N506842	1	BRACKET			No	
54	N445370	3	SCREW.SPECIAL	M5 X 10 W WASHER		No	
55	N506845	1	BUSHING			No	
56	N506849	1	HANDLE			No	
57	N506850	2	CORD CLAMP			No	
58	N506863	1	SPINDLE			No	
59	N506864	1	WOODRUFF KEY			No	
60	N506867	1	GEARCASE COVER			No	
61	N506868	1	O RING	64.1 X 2.4		No	
62	605040-41	1	BEARING			No	
63	N506869	1	LOCKING RING			No	
64	N506870	1	CIRCLIP			No	
65	N506871	1	GEAR			No	
66	605040-59	1	BEARING	12 x 28 x 8 - 6001RS		No	
67	N506873	1	O RING	28 X 3.4		No	
68	N506202	1	GEARCASE			No	
69	N524651	1	O RING	35 X 2.5		No	
70	N638738	1	BRUSH PAIR 230V			No	QS
70	N563465	2	BRUSH 230V			No	QS
71	622440-00	2	BRUSH HOLDER			No	
72	N539048	2	BRUSH CAP			No	
73	N498814	1	FIELD CASE			No	
74	N530916	4	SCREW.SPECIAL	M5 X 35 W WASHER		No	
75	N110359	1	BEARING			No	
76	N638734	1	ARMATURE 230V			No	QS

Parts List DWE7492 TABLE SAW 1

Item	Part Number	Qty	Part Description	General Description	Other Info	Repair Inst	Markets
77	N638736	1	FIELD 230V			No	QS
78	330019-30	2	SCREW			No	
79	N528091	1	BAFFLE FAN			No	
80	605040-27	1	BEARING	15 x 35 x 11mm 6202		No	
81	N600154	1	CORD PROTECTOR			No	
82	330022-18	2	SCREW			No	
83	631115-00	1	RUBBER			No	
84	398605-00	1	RETAINER			No	
85	N507601	1	RIVING KNIFE	EURO		No	QS
86	N506883	1	SHAFT			No	
87	N516284	1	SPIROL PIN			No	
88	N506885	1	SPRING			No	
89	N520202	1	HOLDER	EURO		No	
90	N516281	1	BUSHING			No	
91	N448944	3	SCREW	M5 X 8		No	
92	N516282	1	SPRING			No	
93	N516283	1	WASHER	M8		No	
94	N516286	1	RETAINER			No	
95	N521163	1	MOUNT	EURO		No	
96	N516285	1	SCREW	M3 X 3		No	
97	N447220	2	SCREW	M5 X16		No	
98	N506895	1	BRACKET			No	
99	N455214	1	RETAINER	M5		No	
100	N506898	1	PIN			No	
101	N506899	1	BRACKET			No	
102	N506900	1	BLOCK			No	
103	N506901	1	NUT	M5		No	
105	N505336	1	BRACKET SA	FRONT		No	
106	N446419	4	SPIROL PIN	M4 X 12		No	
108	N520495	1	GUARD			No	
109	N506909	1	GUARD REAR			No	
110	N461121	4	SCREW	M6 X 15		No	
111	N505220	1	BRACKET SA	REAR		No	

Parts List DWE7492 TABLE SAW 1

Item	Part Number	Qty	Part Description	General Description	Other Info	Repair Inst	Markets
112	N446418	4	SCREW	M6 X 12		No	
113	N506912	1	GUARD	FABRIC		No	
114	N536538	1	CASTING			No	
116	N509218	1	WASHER CLAMP	EURO		No	
117	N506916	1	CLAMP NUT			No	
118	N506921	1	BAR			No	
119	N506922	1	COVER			No	
120	N435913	4	WASHER	M7		No	
121	N511375	2	SPRING			No	
122	N506924	1	SHAFT	REAR		No	
123	N506925	1	SHAFT			No	
124	N504745	2	BEVEL GEAR			No	
125	N506929	1	BRACKET			No	
126	N506935	2	WASHER BOW	M10		No	
127	N506932	1	CONTROL SCREW			No	
128	N471715	1	WOODRUFF KEY	4 X 4 X 8		No	
129	N506934	1	BUSHING			No	
130	N506930	1	WASHER	M10		No	
131	N506936	1	BRACKET			No	
133	N454261	1	WASHER LOCK			No	
134	N506939	1	POINTER			No	
135	N454259	1	SCREW	M5 X 12		No	
136	N506941	1	WASHER	M16.5		No	
137	N508188	1	HANDLE SA			No	
138	N656850	1	WHEEL SA			No	
145	N506952	1	O RING	6.8 X 3.8		No	
147	N506954	2	WASHER	M17		No	
148	N535078	1	LOCKING SCREW			No	
149	N455721	4	SCREW.SPECIAL	M5 X 0.8 X 22 W WASH		No	
150	330021-02	1	NUT	M8 * 1.25		No	
151	N536541	1	SHAFT			No	
152	N586455	1	CAGE			No	
153	N468863	8	SCREW.SPECIAL	M5 X 44 W WASHER		No	

Parts List DWE7492 TABLE SAW 1

Item	Part Number	Qty	Part Description	General Description	Other Info	Repair Inst	Markets
154	N468864	8	NUT	M5 FLANGE		No	
155	N546986	4	FOOT			No	
156	N506918	1	BAR			No	
157	N506971	2	SCREW	M5 X 40		No	
158	N562519	1	CLAMSHELL LH			No	
159	N559499	1	CLAMSHELL RH			No	
160	N506975	1	CORD CLAMP			No	
161	N506976	2	SCREW	M4 X 13		No	
162	N520496	1	BAR			No	
163	N506978	1	BUTTON			No	
164	N506979	1	SPRING			No	
165	N474759	4	SCREW	M6 X 18		No	
166	N506981	4	BUMPER			No	
167	N506982	4	BRACKET			No	
168	N506983	1	HANDLE			No	
170	N454227	4	SCREW	M5 X 12		No	
177	N497063	1	BRACKET			No	
178	N442869	2	SCREW	M5 X 8		No	
179	N507001	1	PANEL FRONT			No	
180	N441179	2	CAM			No	
181	N507005	3	SCREW	M4 X 7		No	
182	N507006	1	PLATE			No	
183	N526936	2	SCREW	THD FORM		No	
185	N508200	1	PADDLE			No	
187	N603747	1	SWITCH 240V			No	QS
188	N508203	1	PIN			No	
189	N508204	1	SWITCH COVER			No	
190	N508209	1	SWITCHBOX			No	
191	N508206	4	SCREW	M4 X 16		No	
192	N507026	1	SLEEVE			No	
193	N550501	1	CORDSET (EURO)	QS		No	QS
195	N536542	1	WASHER	M10		No	
200	N508201	1	INSERT			No	

Parts List DWE7492 TABLE SAW 1

Item	Part Number	Qty	Part Description	General Description	Other Info	Repair Inst	Markets
201	N600154	1	CORD PROTECTOR			No	
205	N581422	2	SCREW	M5 X 0.8		No	
206	750831	2	O RING			No	
207	N598018	1	WARNING LABEL			No	
211	N554952	1	CORD PROTECTOR			No	QS
218	N561998	2	PAD			No	
219	N563569	1	INSULATOR	FERRITE		No	
220	N532244	1	RATING PLATE	QS		No	QS
221	N586800	1	BRAND LABEL			No	
222	N196812	1	LABEL	BEVEL SCALE		No	
223	N196912	1	SCALE	METRIC		No	
224	N196816	1	LABEL			No	
230	N507736	2	BUSHING			No	
231	N507735	2	WASHER BOW			No	
232	N507689	1	PADDLE			No	
233	N507733	1	LEVER	FRONT		No	
234	N507731	2	SCREW	M5 X 20		No	
235	N552157	1	PLATE	FRONT		No	
236	N511951	2	SPRING			No	
239	N552906	1	PLATE	REAR		No	
240	N507741	1	LEVER	REAR		No	
241	N507992	1	PADDLE			No	
251	N629903	1	GUARD SA	EURO		No	QS
252	N638742	1	FENCE SA			No	
254	N629902	1	MITRE FENCE	EURO		No	QS
255	N506021	1	PUSHROD			No	
256	N506977	2	WRENCH SPECIAL			No	
257	1004695-90	1	DUST PORT			No	
260	N546987	4	FOOT			No	
261	N557485	1	BRACKET			No	
262	N451161	1	BOLT			No	
263	N526185	1	WASHER	M5		No	
264	N461154	1	NUT M5	M5 X 0.8 NYLOC		No	

Parts List DWE7492 TABLE SAW 1

Item	Part Number	Qty	Part Description	General Description	Other Info	Repair Inst	Markets
265	N511764	1	SPRING			No	
266	N538525	1	KNOB			No	
267	N524451	1	FOAM			No	
270	N629901	1	TABLE INSERT			No	QS
271	N455083	4	SCREW	M4 X 8		No	
273	N459208	1	SCREW	M4 X 16.1		No	
274	N508873	1	CAM			No	
280	N521898	1	PLATE			No	
281	N507731	1	SCREW	M5 X 20		No	
300	N655983	1	LOCKING DEVICE			No	